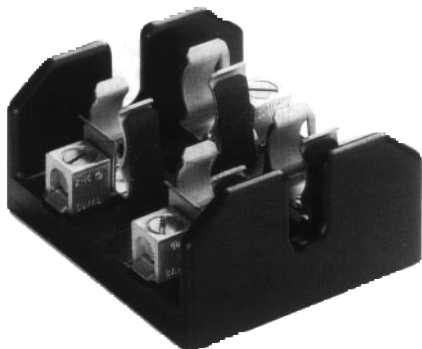


Class T Fuseblocks

300 Volt, 1/2-600 Amps

T300



Class T Fuseblocks (300V) Catalog Data

Amps	Poles	Catalog Numbers		Figure Number	Max. Wire Size
		Screw	Box Lug		
1/2-30	2	T30030-2SR	T30030-2CR	1	SR #10Cu; CR #2Cu-Al
	3	T30030-3SR	T30030-3CR		
	4	T30030-4SR	T30030-4CR		
31-60	2	T30060-2SR*	T30060-2CR	1	#2Cu Al
	3	T30060-3SR*	T30060-3CR		
	4	T30060-4SR*	T30060-4CR		
61-100	1	—	T30100-1C	2	1/0 Cu-Al
	2	—	T30100-2C		
	3	—	T30100-3C		
101-200	1	—	T30200-1C	3	250MCM Cu-Al
	3	—	1B0083		
201-400	1	—	T30400-1C	4	600MCM Cu-Al
401-600	1	—	T30600-1C	5	(2) 600MCM Cu-Al

*UL Recognized

CATALOG SYMBOL: T300
 1/2-600 AMPERES; 300 VOLTS AC
 U.L. LISTED (GUIDE # IZLT, FILE # E14853)
 CSA (CLASS 6225-01; FILE 47235)
 WITHSTAND RATING: 200,000 AMPS RMS SYM.

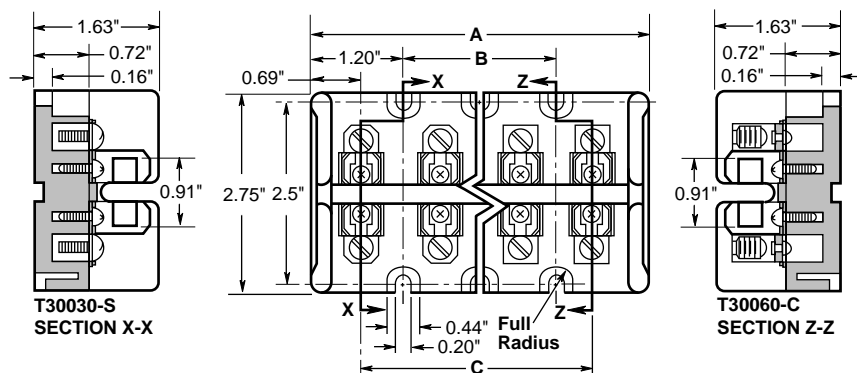
For use with Class T Fuses (Bussmann JJN)

Materials: Glass Polyester,
 Phenolic on 600A

UL Flammability: 94 VO

Dimensional Data

FIGURE 1. 1/2A to 60A



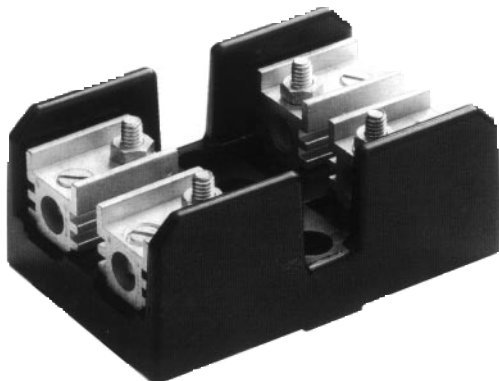
Class T Fuseblocks (300V) Catalog Numbers

Terminal Type	Dimensions (inches)		
	A	B	C
T30030-2	2.41	—	1.03
T30060-2			
T30030-3	3.44	1.03	2.06
T30060-3			
T30030-4	4.47	2.06	3.09
T30060-4			

Class T Fuseblocks

300 Volt, 1/2-600 Amps

T300



Dimensional Data
FIGURE 2. 61A to 100A

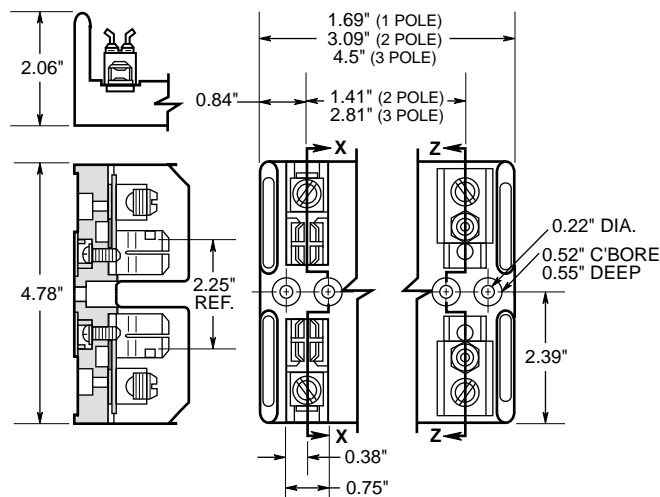


FIGURE 3. 101A to 200A

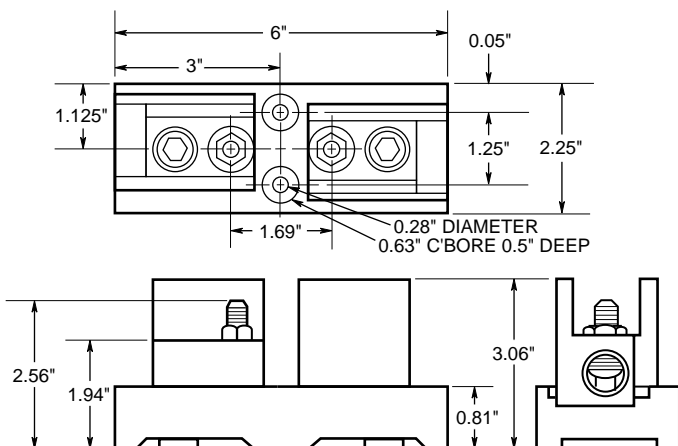


FIGURE 4. 201A to 400A

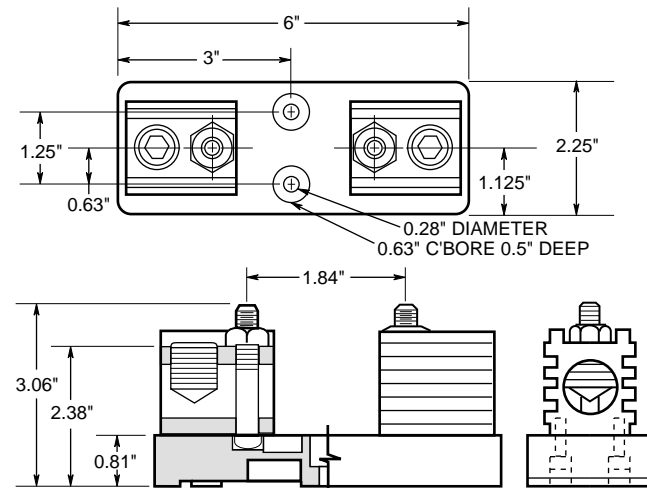
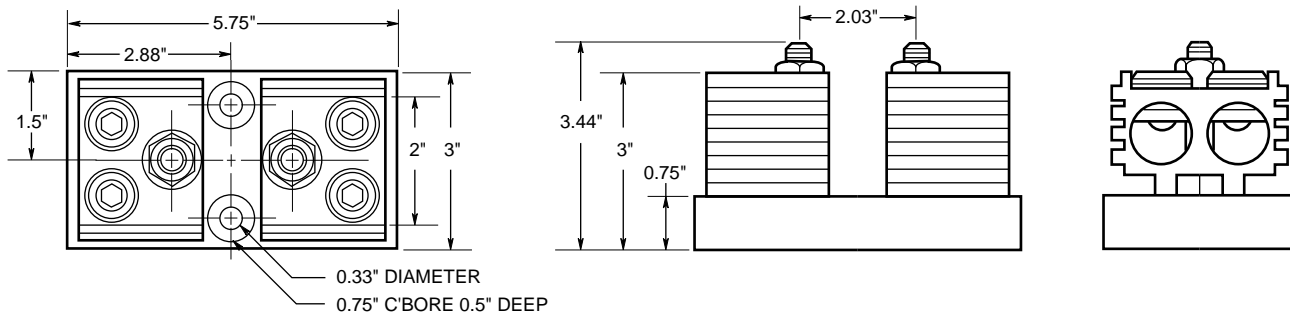


FIGURE 5. 401A to 600A



This bulletin is intended to clearly present comprehensive product data and provide technical information that will help the end user with design applications. Bussmann reserves the right, without notice, to change design or construction of any products and to discontinue or limit distribution of any products. Bussmann also reserves the right to change or update, without notice, any technical information contained in this bulletin. Once a product has been selected, it should be tested by the user in all possible applications.