

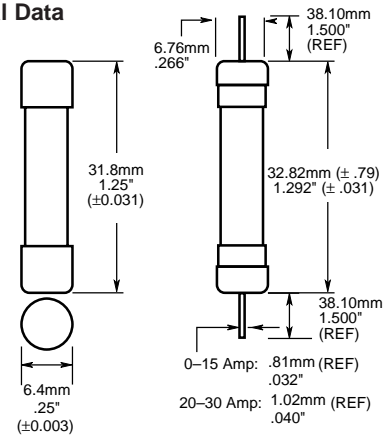
Dual-Element, Time-Delay Glass Fuse

For 1/4" x 1-1/4" (6.4mm x 31.8mm)

MDQ
MDQ-V



Dimensional Data



CATALOG SYMBOL: MDQ
 1/4" x 1-1/4" (6.3mm x 32mm) 3AG
 DUAL-ELEMENT, TIME-DELAY
 UL LISTED, STD. 248-14
 0-7A (GUIDE # JDYX, FILE E19180)
 UL RECOGNIZED
 7.5-30A (GUIDE # JDYX2, FILE E19180)
 CSA CERTIFIED
 (CLASS 1422-01, FILE 47233)
 BODY MATERIAL: GLASS
 FERRULE MATERIAL: BRASS
 FERRULE PLATING: ALBALOY

- Formerly designated 3AG.
- For circuits with high inrush currents.
- Mounts in Buss HTB panel-mounted HB series PC board fuseholders, series 8000 fuseblocks and 1/4" clips.

Electrical Ratings (Catalog Symbol and Amperes)

250 Volts AC; U.L. Listed & CSA			32 Volts AC
MDQ-1/100	MDQ-4/10	MDQ-2-1/4	MDQ-7-1/2
MDQ-1/32	MDQ-1/2	MDQ-2-1/2	MDQ-8
MDQ-1/16	MDQ-6/10	MDQ-2-8/10	MDQ-9
MDQ-1/10	MDQ-3/4	MDQ-3	MDQ-10
MDQ-1/8	MDQ-8/10	MDQ-3-2/10	MDQ-12
MDQ-15/100	MDQ-1	MDQ-4	MDQ-15
MDQ-175/1000	MDQ-1-2/10	MDQ-5	MDQ-20
MDQ-2/10	MDQ-1-1/4	MDQ-6	MDQ-25
MDQ-3/16	MDQ-1-1/2	MDQ-6-1/4	MDQ-30
MDQ-1/4	MDQ-1-6/10	MDQ-7	—
MDQ-3/10	MDQ-1-8/10	—	—
MDQ-3/8	MDQ-2	—	—

U.L. Recog.

Carton Quantity and Weight

Ampere Ratings	Carton Qty	Weight*	
		Lbs.	Kg.
0-30	100	0.93	421

*Weight per carton.

CE logo denotes compliance with European Union Low Voltage Directive (50-1000 VAC, 75-1500 VDC). Refer to BIF document #8002 or contact Bussmann Application Engineering at 314-527-1270 for more information.

Packaging & Ordering Information:

Package Code Blank 5 in BK/ 100 in	MDQ Product Symbol	—	V Lead Blank -no lead V-Axial lead	—	(See Table) Rated Current
--	-----------------------	---	---	---	------------------------------

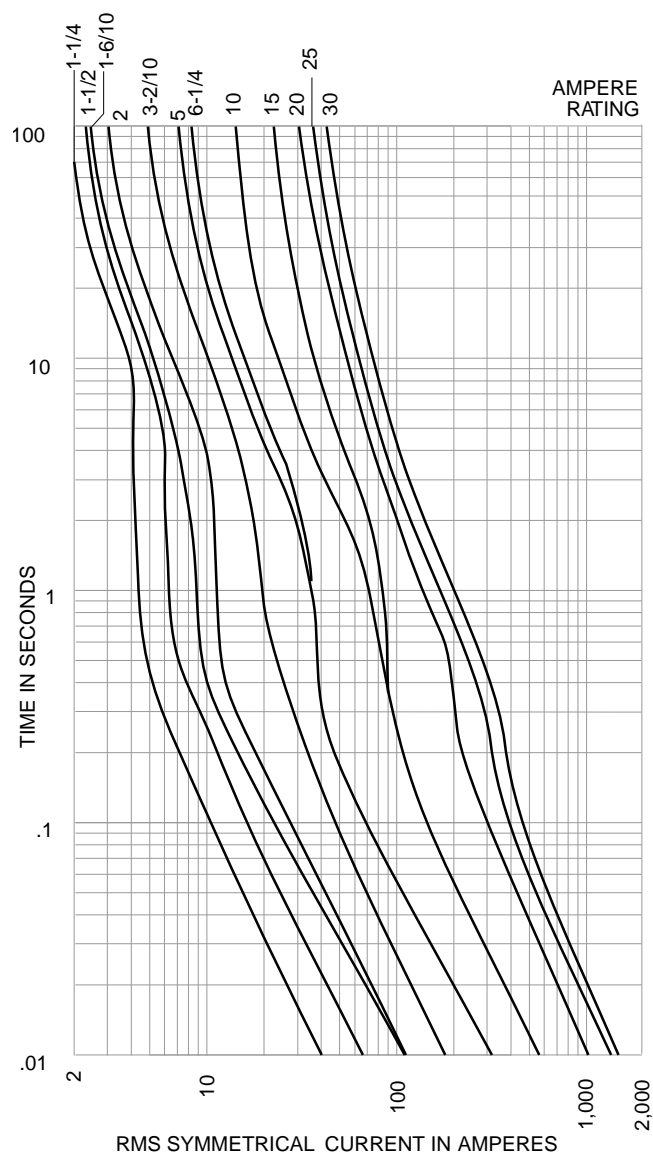
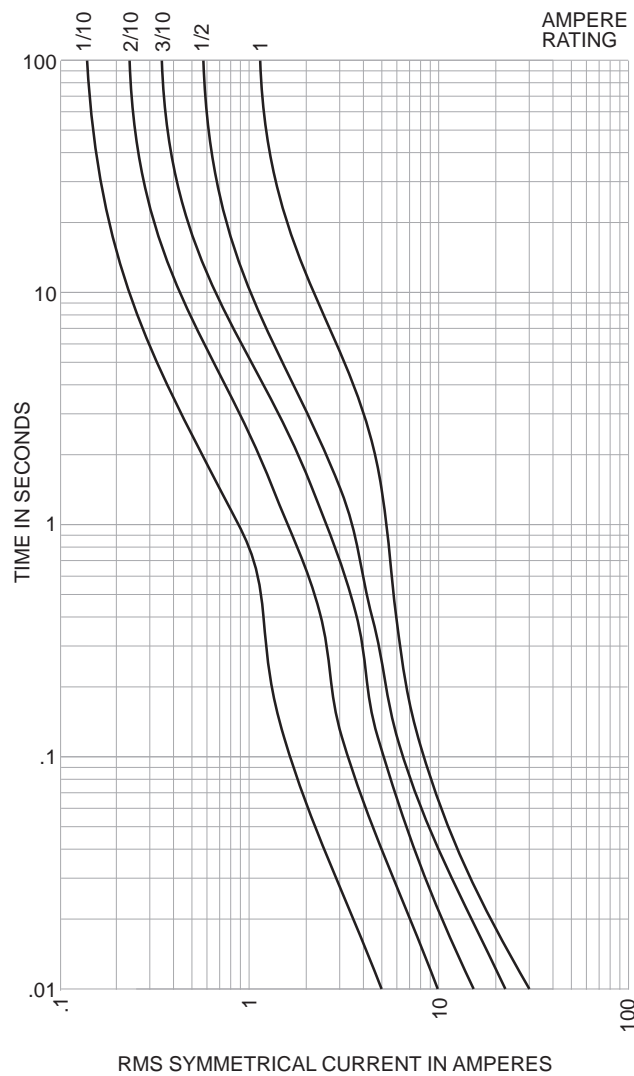


Dual-Element, Time-Delay Glass Fuse

For 1/4" x 1-1/4" (6.4mm x 31.8mm)

MDQ
MDQ-V

Time-Current Characteristic Curves—Average Melt
(Full Size Curves Available)



This bulletin is intended to clearly present comprehensive product data and provide technical information that will help the end user with design applications. Bussmann reserves the right, without notice, to change design or construction of any products and to discontinue or limit distribution of any products. Bussmann also reserves the right to change or update, without notice, any technical information contained in this bulletin. Once a product has been selected, it should be tested by the user in all possible applications.