

Supplementary Fuseblocks

Type M, For 13/32" x 1-1/2" Fuses

600 Volt AC, 1/10 - 30 Amps

BM Series



CATALOG SYMBOL: BM SERIES
 TYPE M SUPPLEMENTARY FUSEBLOCKS
 1/10-30 AMPERES
 600 VOLTS AC
 WITHSTAND RATING: 10,000 A RMS SYM.

or interrupting rating of the fuse used, whichever is lower.
 U.L. RECOGNIZED— UL512 (GUIDE # IZLT2, FILE # E14853)
 CSA Certified, C22.2 No. 39—(CLASS 6225-01; FILE 47235)
 For use with any 13/32" x 1-1/2" Fuses
 (Bussmann KTK, FNQ, FNM, BAF, BAN, and AGU)
 U.L. FLAMMABILITY: 94 VO
 MATERIAL: Thermoplastic

Dimensional Data

1/10 to 30A

All dimensions (±0.015)

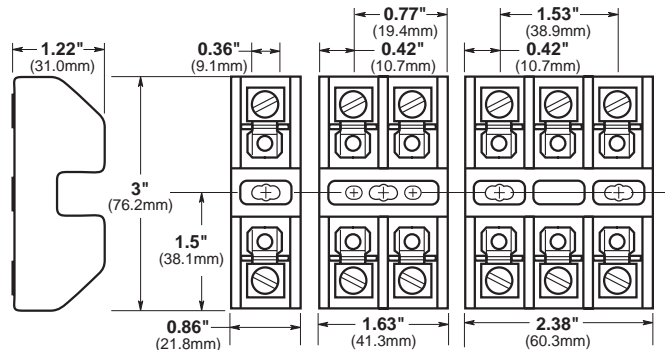


Figure 1. Figure 2. Figure 3.

Catalog Data (600V)

Amps	Poles	Terminal Type			Fig. No.
		Screw with Quick Connect	Pressure Plate w/ Quick Connect	Box Lug	
1/10	1	BM6031SQ	BM6031PQ	BM6031B	1
to	2	BM6032SQ	BM6032PQ	BM6032B	2
30	3	BM6033SQ	BM6033PQ	BM6033B	3



CE CE logo denotes compliance with European Union Low Voltage Directive (50-1000 VAC, 75-1500 VDC). Refer to BIF document #8002 or contact Bussmann Application Engineering at 314-527-1270 for more information.

This bulletin is intended to clearly present comprehensive product data and provide technical information that will help the end user with design applications. Bussmann reserves the right, without notice, to change design or construction of any products and to discontinue or limit distribution of any products. Bussmann also reserves the right to change or update, without notice, any technical information contained in this bulletin. Once a product has been selected, it should be tested by the user in all possible applications.